

Battery 12V 1.3Ah Li-ion

RS0101-010



PRODUCT DESCRIPTION

Battery 12V lithium-ion battery for Dynello Rewinder II. Delivers up to 300 windings* or more than a week's worth of power.

**Based on tests with dry lashing 50mm width, 9.5 meter length.*

TECHNICAL DETAILS

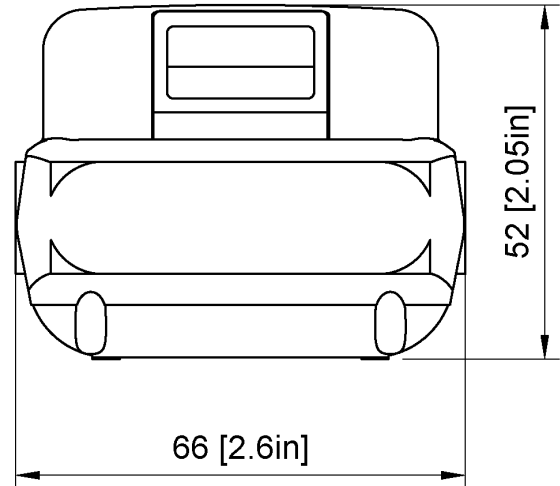
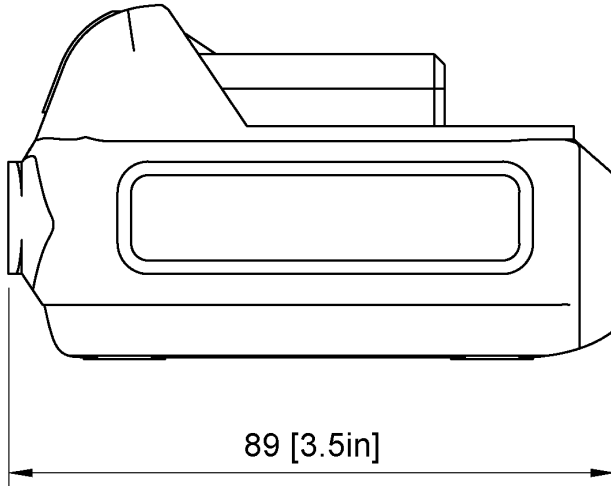
- Type: slide-in
- Li-ion technology
- Voltage 12V
- Capacity 1.3Ah
- Integrated charge socket
- Packaging: Carton box
- Weight: 240 g

ADDITIONAL INFORMATION

Item no. RS0101-010
EAN 5700002038968
Suggested HS-Code 8507 60 00 90

Battery 12V 1.3Ah Li-ion

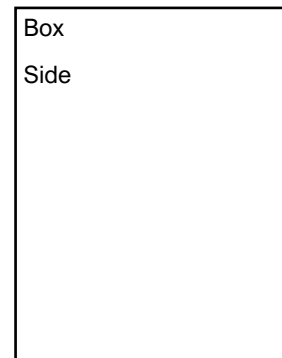
RS0101-010



Unit: mm



Width=103.5mm



Depth=53.5mm

Battery 12V 1.3Ah Li-ion

RS0101-010



SAFETY NOTICE

Description of Lithium ion batteries

Lithium batteries fall into two broad classifications; lithium metal batteries and lithium ion batteries. Lithium metal batteries are generally non-rechargeable and contain metallic lithium. Lithium ion batteries contain lithium which is only present in an ionic form in the electrolyte and are rechargeable.

Li-Ion (li-ion): Lithium ion

Handling and storage

Avoid expose battery to an environment temperature higher than 50°C

Avoid contacting the positive pole and negative pole with metal during using and storage.

Before charging identify the positive and negative symbol correctly.

Do not puncture the battery with sharp objects and crash with weighty objects in case of rupture or leakage.

Conditions for safety storage and recharging: -10°C~35°C

Avoid long-term storage in environments with temperatures of higher than 70°C or lower than -40°C; if long-term storage is necessary, please keep the battery half charge status in temperature range of -10°C~35°C.

Recharge only with the charger specified by the manufacturer.

Never service damaged battery packs. Service of battery packs should only be performed by the manufacturer or authorized service providers.

Safety information

Do not heat the battery or throw it into fire or water; do not change or dissect the battery, otherwise it may be dangerous.

Do not connect the positive pole and negative pole directly; keep it away from metal and other conductive material.

Do not connect the positive pole and negative pole reversely.

When battery pack is not in use, keep it away from other metal objects like paper clips, coins, keys, nails, screws, or other small metal objects that can make a connection from one terminal to another.

Disconnect the power supply, stop charging or use, when leakage, fever, discoloration or other abnormal phenomena occurs during using, charging and storage.

Do not use the battery which releases electrolyte odor.

Under abusive conditions, liquid may be ejected from the battery, avoid contact. If contact accidentally occurs, flush with water. If liquid contacts eyes, additionally seek medical help.

Safety measures in the event of fire

The electrolyte in the battery is flammable. If the battery is damaged or abused (eg. mechanical disruption or overcharging), the electrolyte will fire in high temperature (>150°C).

Do not expose a battery pack or tool to fire or excessive temperature. Exposure to fire or temperature above 130°C may cause explosion.

Methods of fire fighting and extinguishing agent: extinguish with water, alcohol resistant foam, dry powder or carbon dioxide.

APPLICABLE CHARGER

RS0101-018